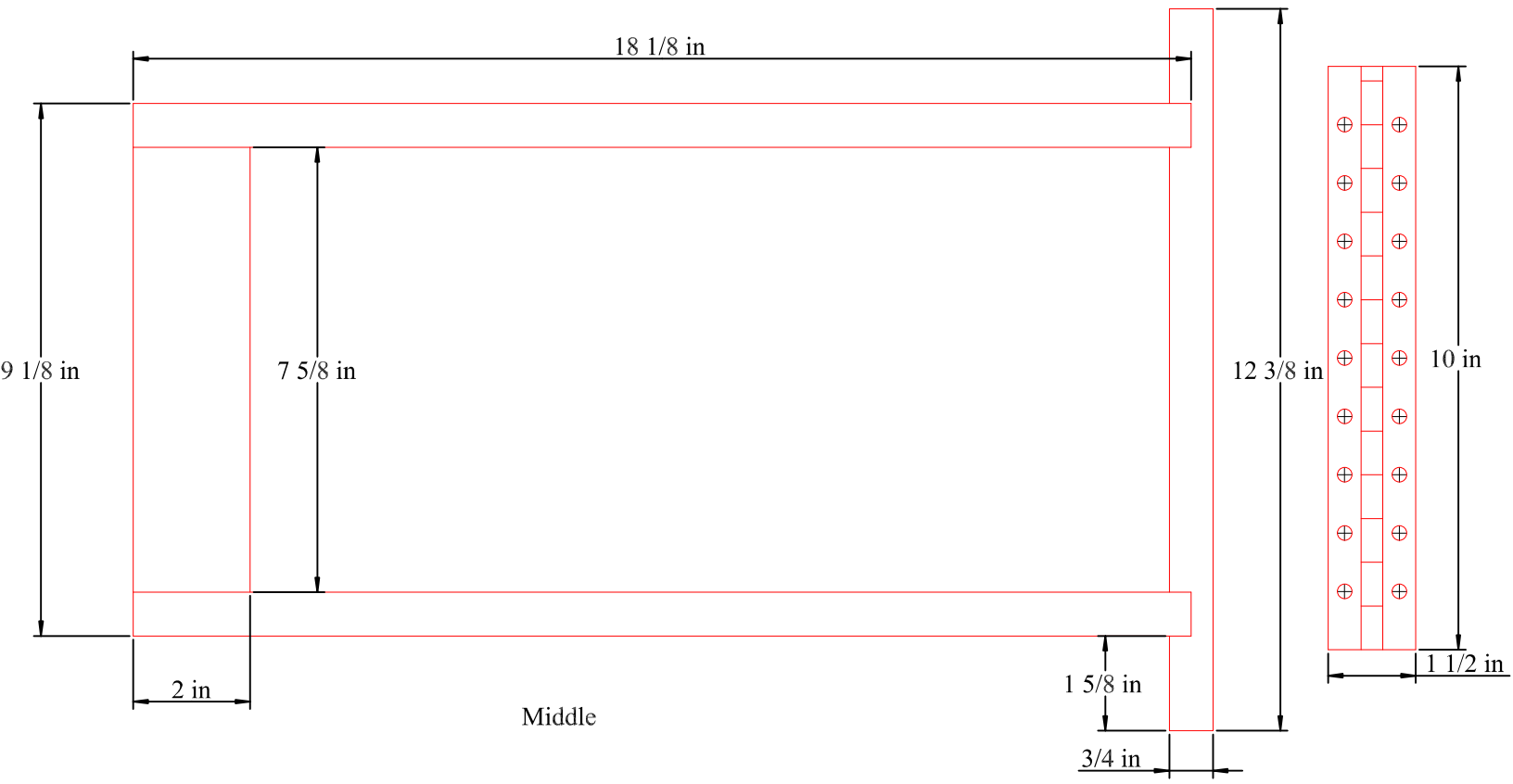
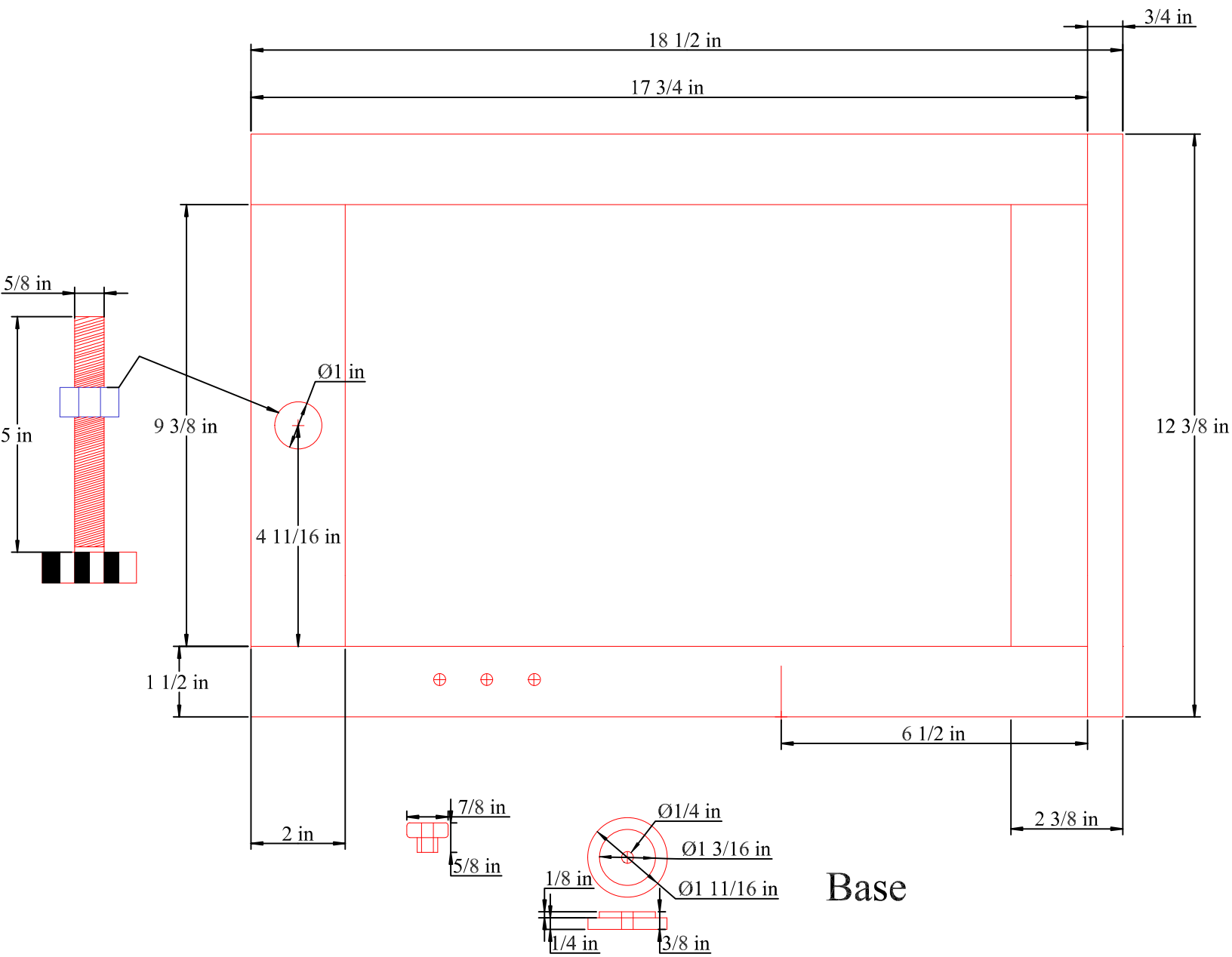
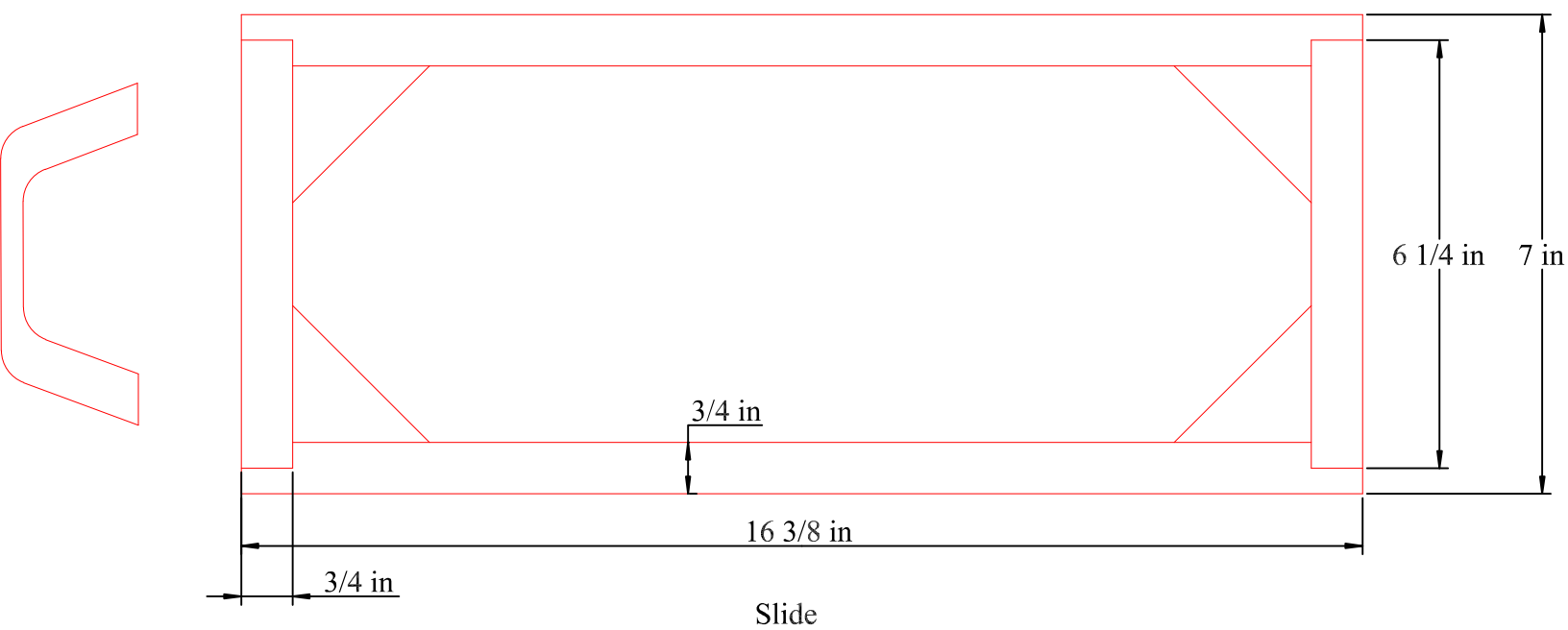
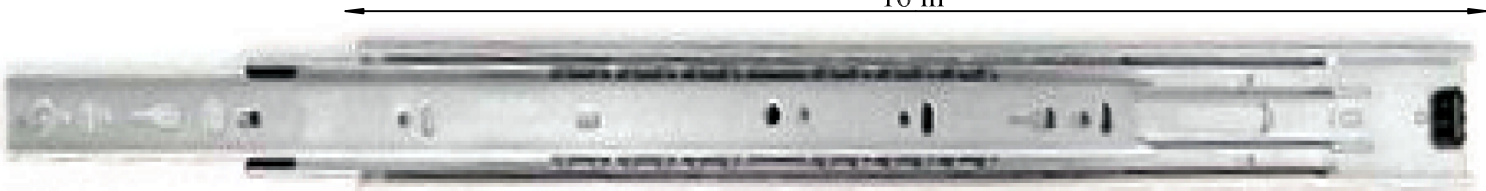


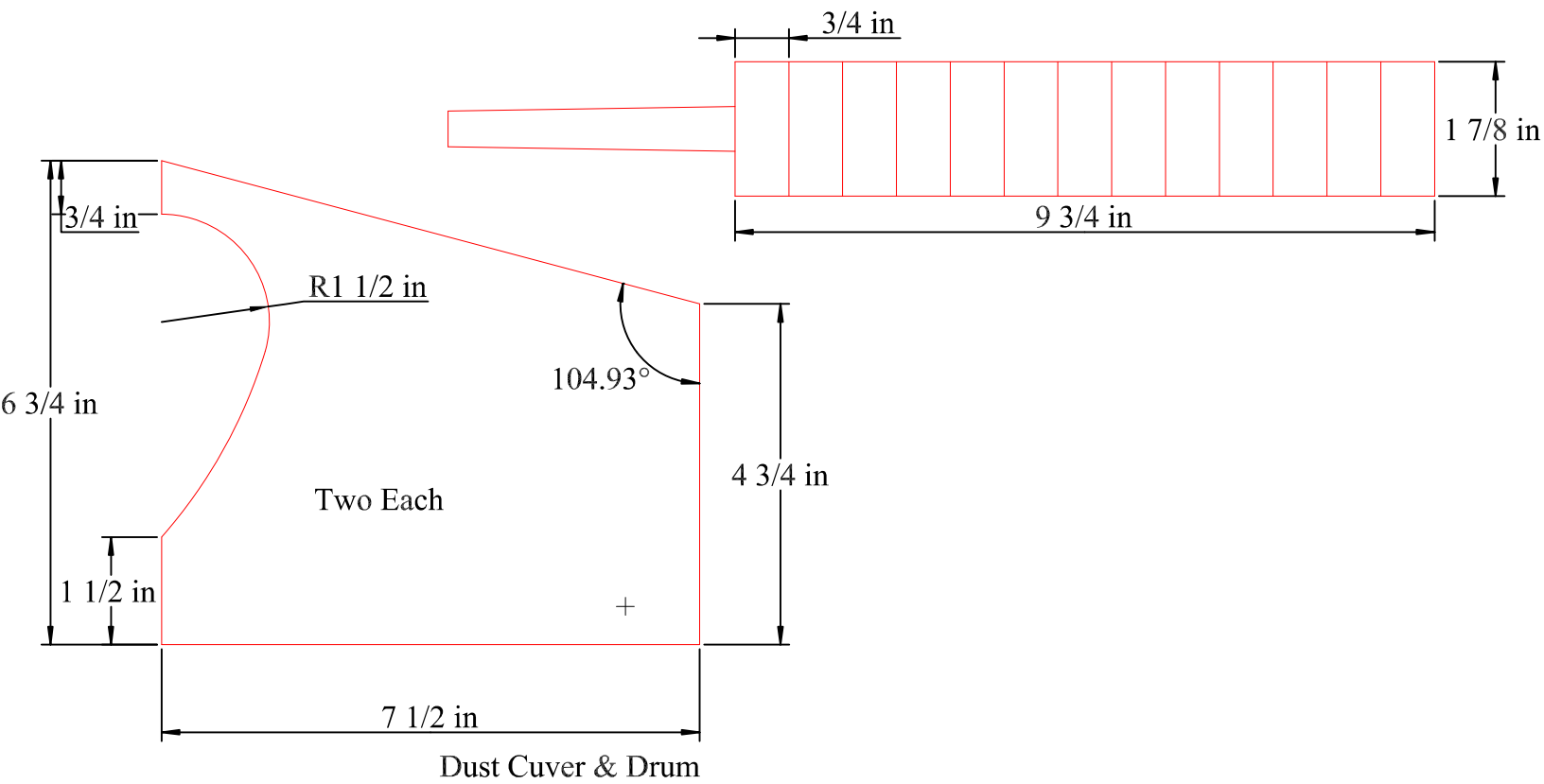
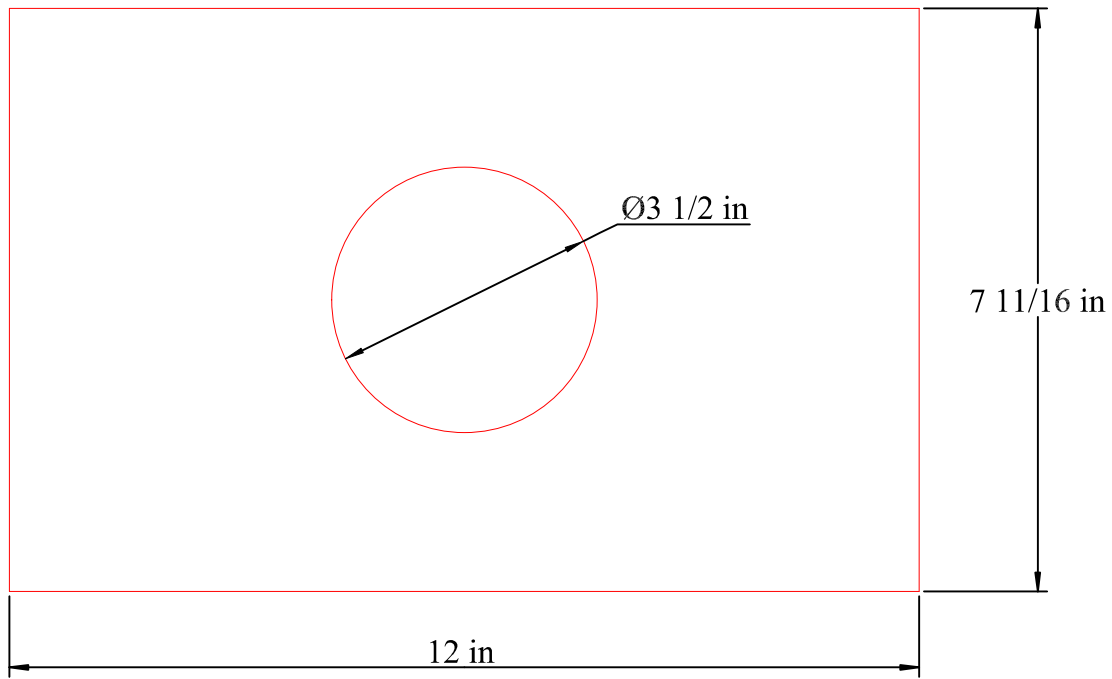
Top

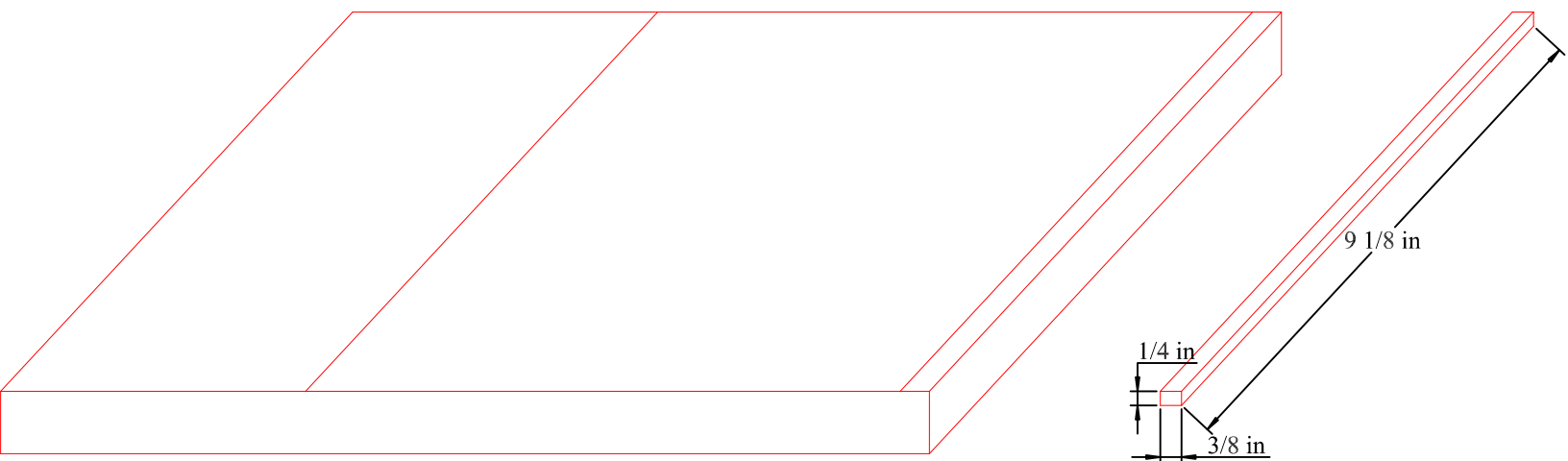




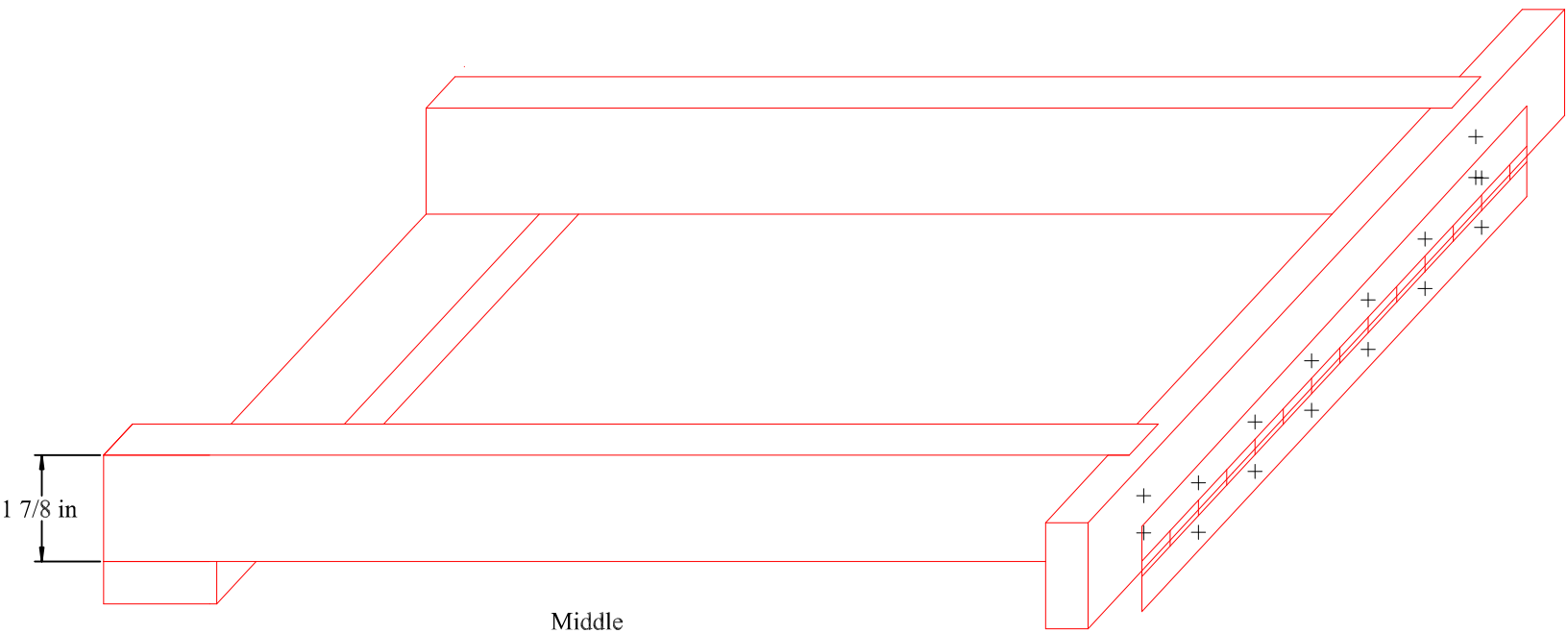
Two each Drawer Slides
16 in

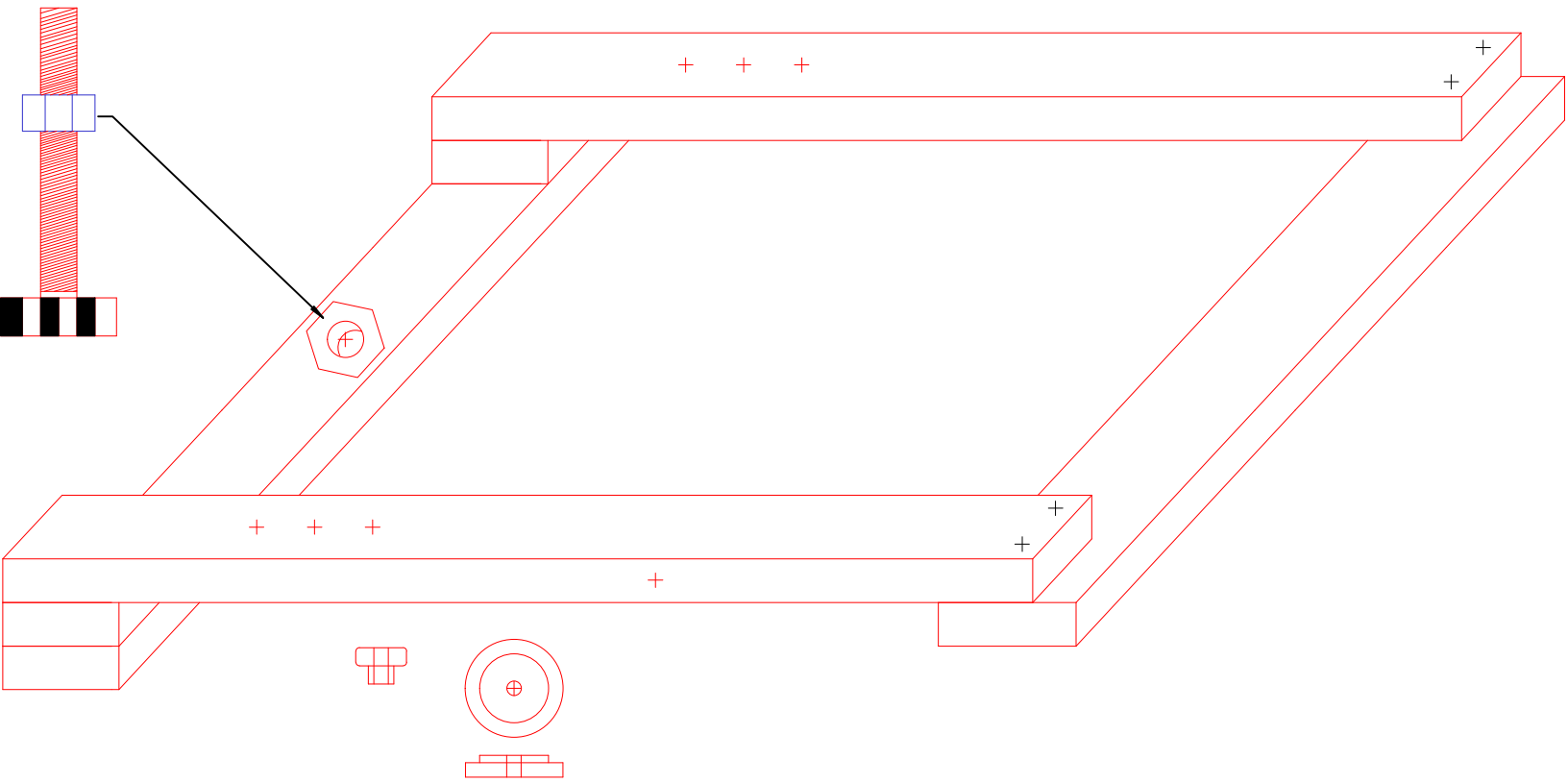


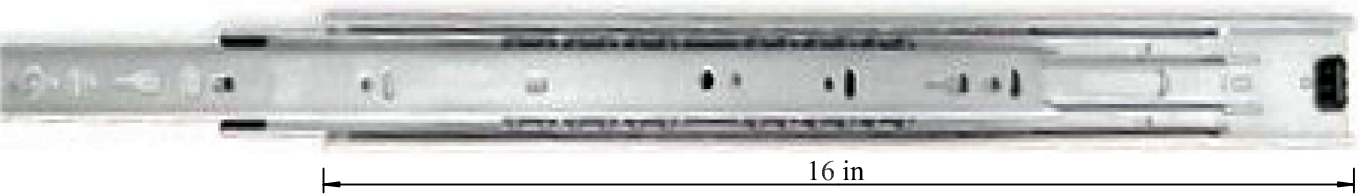
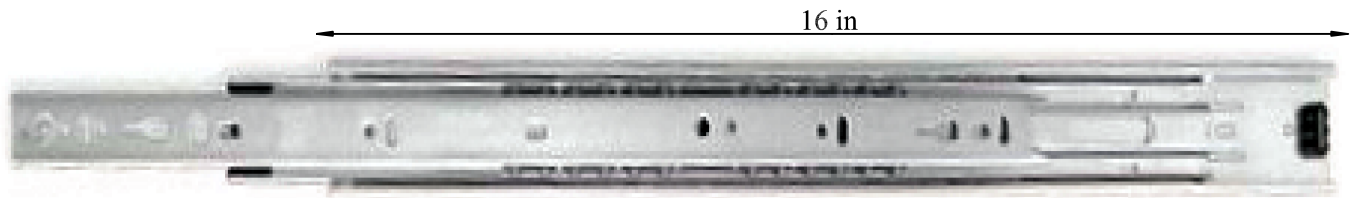




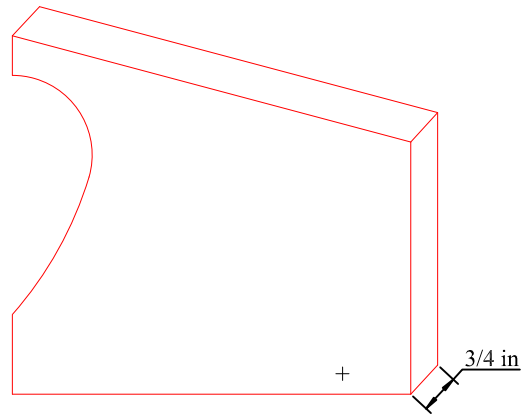
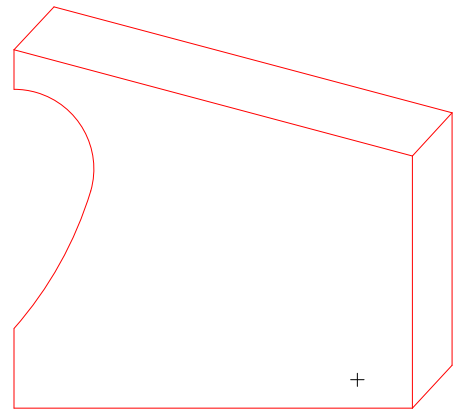
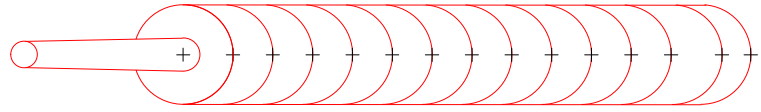
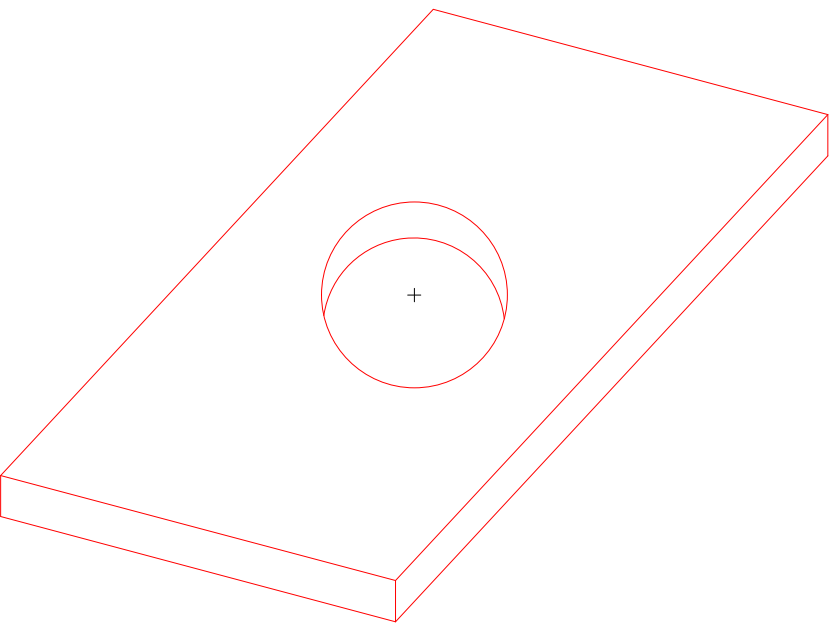
Top







Slide



Dust cover & Drum